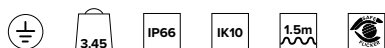
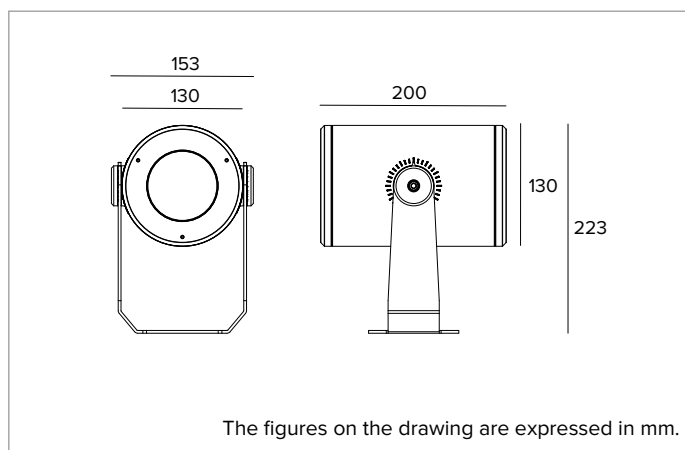


1E3990EL | DART Round Medium Professional adjustable LED projector



	4000K	H(m)	D(m)	Emax(lx)
	Ra80		46°	
	Fixture Power	33W	1	0.85 7640
	Source Flux	5193lm	2	1.71 1910
	Fixture Flux	4206lm	3	2.56 849
	Efficacy	127lm/W	4	3.41 478
TS1671	Imax=1507cd/klm	Imax	7824cd	5 4.26 306



SOURCE

High efficiency Chip on Board LED Ra80. Ra90 version available on request.

Energy efficiency class: C

Nominal power: 31W

Nominal flux: 5193lm

Colour rendering index: 80

Rf: 81

Rg: 97

CCT nominal: 4000K

Lifetime (L80/B10): >50000h tq +25°C

ILLUMINOTECHNICAL CHARACTERISTICS

MWFL version: convex faceted mirrored anodised aluminium precision optics.

Optic: REFLECTOR

Beam angles: MWFL

Optical efficiency: 81%

Fixture flux: 4206lm

Luminous efficacy: 127lm/W

Photobiological safety: Compliant with RG1 low risk group

MECHANICAL CHARACTERISTICS

Painted die-cast anodised aluminium body and painted stainless steel mounting bracket. Tempered extra clear front glass.

Colour and finish: Ferrite

Weight: 3.45Kg

Degree of protection: IP66

Mechanical Resistance: IK10

ELECTRICAL CHARACTERISTICS

Version with integrated electronic ON-OFF power supply. Precabled with a 1.5m long feeding cable H07RN-F.

Fixture Power: 33W

Power supply: 220-240Vac 50/60Hz

Insulation Class: CLASS 1

Type of driver / Control: ON-OFF

Driver included: YES

SAFE FLICKER: PstLM=<1 and SVM=<0.4 (IEC TR 61547-1 and IEC TR 63158), to ensure a more comfortable and safe light

Ambient temperature: -25°C / +35°C

INSTALLATION

Mounting bracket with aiming adjustability. Adjustable up to ±45° on the horizontal pane and +90°/-45° on the vertical plane.

NOTES

Uses the "Waterblock Smart" technical solution that involves resin coating the connection cables, limiting the risk of humidity reaching the driver or the fixture. It is possible to subject the product to Cataphoresis treatment on request. 110-277Vac version available on request.

WARRANTY

5 years.

WARNING

Luminaire designed for disposal/recycling at end-of-life. Replaceable (LED only) light source by a professional. Replaceable control gear by a professional.

Due to the technological evolution of the electronic components, the data provided may be updated, and as such, confirmation must be requested during the order process.

Luminous flux and power supply have +/-10% tolerances with respect to the indicated value. tq +25°C (CIE 121).

We reserve the right to make technical changes.

Targetti Sankey S.r.l.
Via Pratese, 164
50145 Firenze - Italy
Tel: +39 055 37911
targetti.com
targetti@targetti.com

CCIAA Firenze
Share Capital:
€ 500.000,00
VAT N. (IT):
01537660480
R.E.A: FI-275656

TARGETTI

1E3990EL | DART Round Medium Professional adjustable LED projector

Accessories

Filter

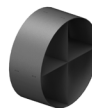


Code

1E4006

Blade of light filter.
PMMA holographic filter for a blade of light effect.
Completed with powder coated aluminum alloy holder ring.
Ferrite.
Only for SP, FL, MWFL, WFL versions.

Grid



Colour

Code



1E4009

Anti-glare louver.
The central elements can be adjusted +/- 60° for a perfect glare control.
Powder coated stainless steel.
Only for SP, FL, MWFL, WFL versions.

Screen



Colour

Code



1E4007

Asymmetric screen.
Powder coated stainless steel.



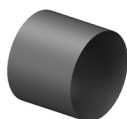
Colour

Code



1E4008

Cylindrical screen.
Powder coated stainless steel.
Short version.



Colour

Code



1E4058

Cylindrical screen.
Powder coated stainless steel.
Long version.

Mounting System



Colour

Code



1E3026

Plate for fixture rotation.
Powder coated stainless steel.



Dimensions
ØxH mm

Colour

Code

96x182



1E3028

Earthspike.
Powder coated stainless steel.

Due to the technological evolution of the electronic components, the data provided may be updated, and as such, confirmation must be requested during the order process.
Luminous flux and power supply have +/-10% tolerances with respect to the indicated value. tq +25°C (CIE 121).

We reserve the right to make technical changes.

Targetti Sankey S.r.l.
Via Pratese, 164
50145 Firenze - Italy
Tel: +39 055 37911
targetti.com
targetti@targetti.com

CCIAA Firenze
Share Capital:
€ 500.000,00
VAT N. (IT):
01537660480
R.E.A.: FI-275656

TARGETTI

1E3990EL | DART Round Medium Professional adjustable LED projector

Mounting System



Colour Code

● 1E2825

Pole bracket.
Anodised and powder coated aluminium.
Pole Ø 60mm (+/-2mm).



Colour Code

● 1E3027

Pole multiple mounting system.
Powder coated stainless steel.
To be completed with 1E2825.
Max 4 projectors.

Connector



Code

1E2769

Linear connection box IP66/IP68.
5 poles max. wire section 1.5mm².
Cable diameter range from 7 to 12mm.



Code

1E2494

Multiple connection box IP68.
1 IN - 3 OUT 4 poles max. wire section 2.5mm².
Cable diameter range from 6 to 12mm.

Tool

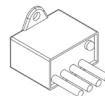


Code

1E3305

Tightening wrench for the connector kit.

Surge protector



Code

A013A

Surge protector compatible with CLASS I lighting fixtures.
Operating voltage 230-277Vac.
SPD type 2+3.
Max surge protection 10kV.
CLASS I
IP67

Due to the technological evolution of the electronic components, the data provided may be updated, and as such, confirmation must be requested during the order process.
Luminous flux and power supply have +/-10% tolerances with respect to the indicated value. tq +25°C (CIE 121).

We reserve the right to make technical changes.

Targetti Sankey S.r.l.
Via Pratese, 164
50145 Firenze - Italy
Tel: +39 055 37911
targetti.com
targetti@targetti.com

CCIAA Firenze
Share Capital:
€ 500.000,00
VAT N. (IT):
01537660480
R.E.A: FI-275656

TARGETTI